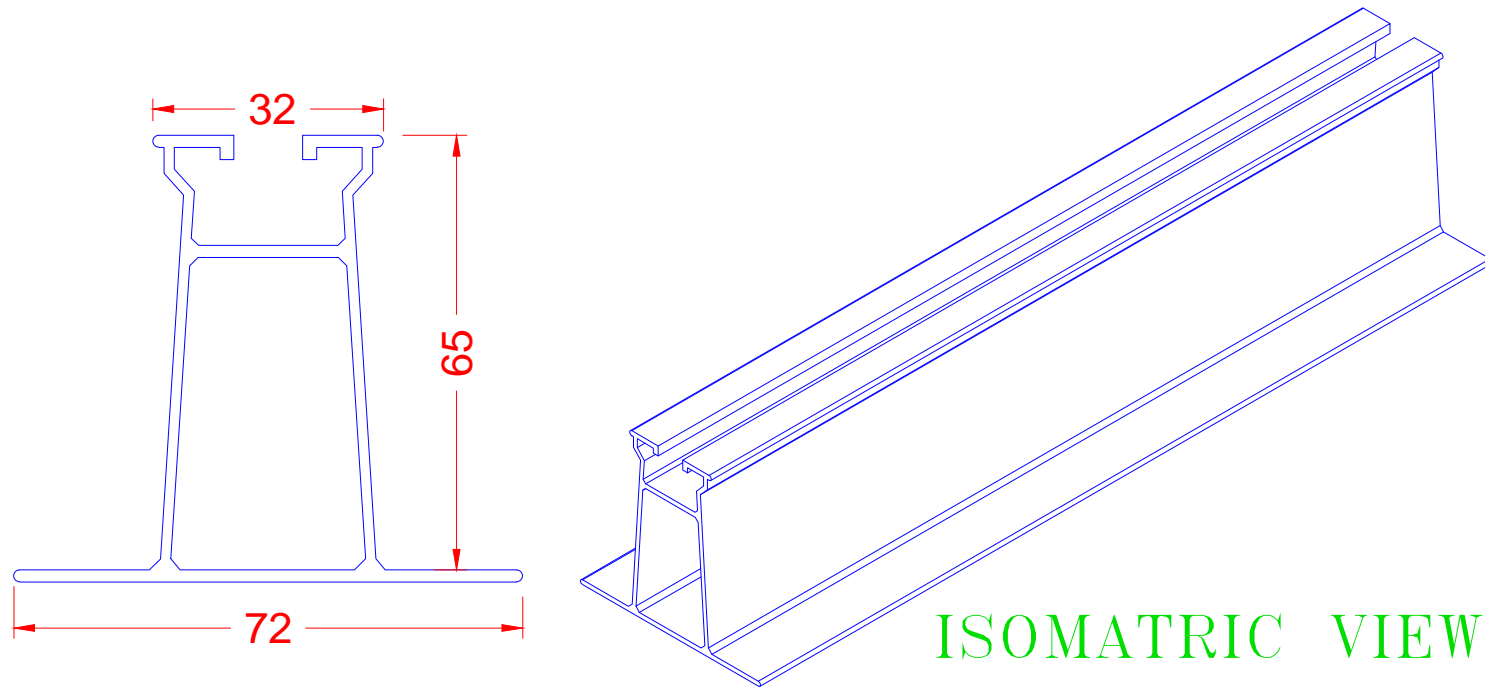


TIOP VIEW

AS PER REQUIREMENT TYPICAL 300mm



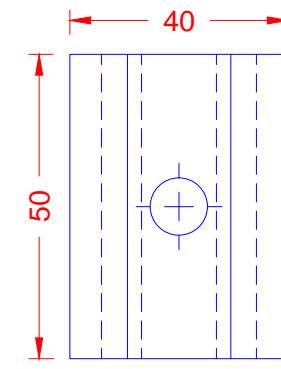
CROSS SECTION

ISOMATRIC VIEW

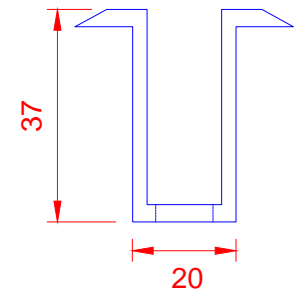
MOUNTING RAIL OR BRACKET

FOR MODULE MOUNTING STRUCTURE

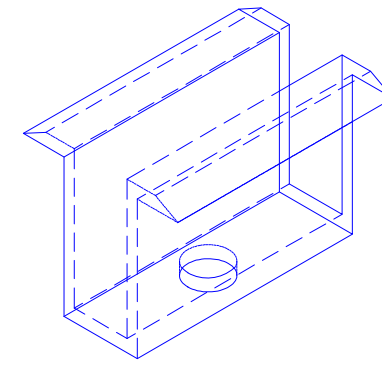
SEW-A



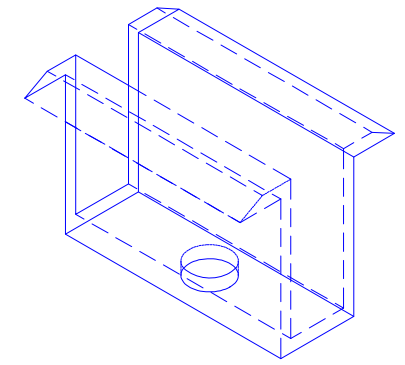
PLAN



CROSS SECTION



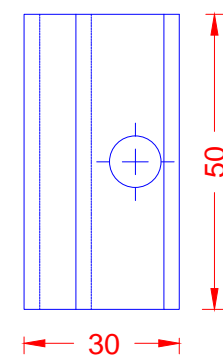
ISOMATRIC VIEW



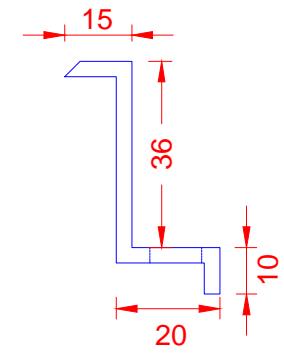
ISOMATRIC VIEW

MIDDLE CLAMP  
FOR MODULES CLAMPING

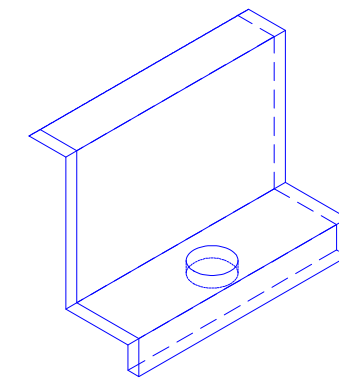
SEW-B



TIOP VIEW



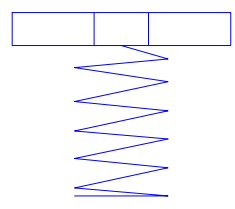
CROSS SECTION



ISOMATRIC VIEW

END CLAMP  
FOR MODULES CLAMPING

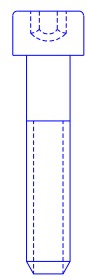
SEW-C



SEW-D

SPRING NUT

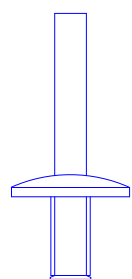
FOR  
CLAMPING



SEW-E

M8 BOLT

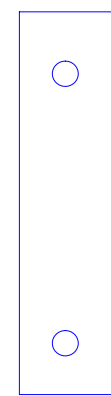
FOR  
CLAMPING



SEW-F

POP REVIT

FOR  
CLAMPING  
SRRUCTURE



SEW-G

EPDM GASKIT

TO PREVENT  
WATER LEAK

DRG.NAME MONO RAIL ALUMINIUM STRUCTURE

SUDHIR Engineering Works

N.N. Road, Bahadur gar h, Har yana  
E-mail: sales@sudhir engwor ks.in  
web: www.sudhir engwor ks.in

